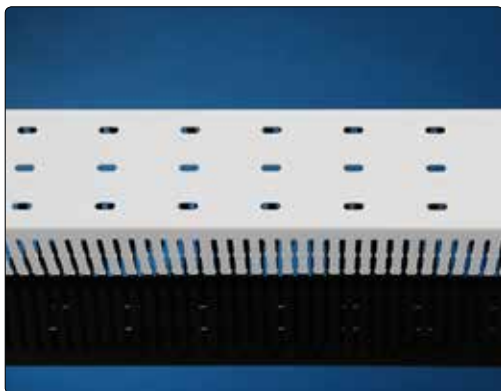
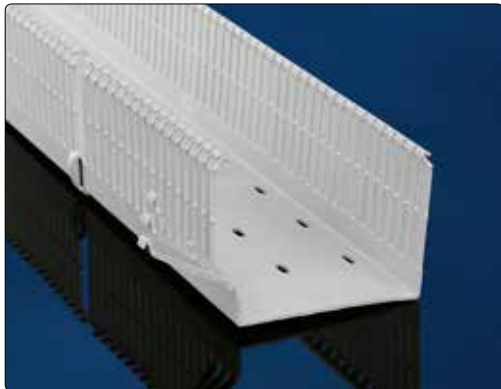
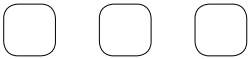
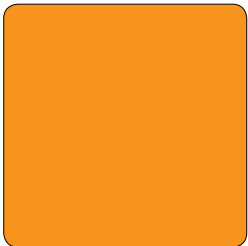




**:hager**

North American Specified  
Mounting Holes





## HAGER GROUP NORTH AMERICAN SPECIFIED MOUNTING HOLES



Hager Group is a leading supplier of solutions and services for electrical installations in residential, commercial and industrial buildings.

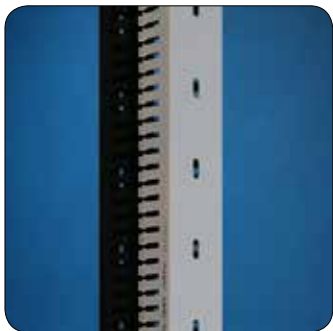
Hager brand, with products ranging from energy distribution through cable management and wiring accessories to building automation and security systems, represents the core business of the company. Other brands of Hager Group are Berker, Bocchiotti, Daitem and Diagrak, as well as Efen and Elcom. This allows the group to combine all the skills necessary for the development of innovative products, systems and services required for building automation.

Together with the customers from industry and the electrical trade, Hager Group is working on future topics such as electro-mobility, Ambient Assisted Living, where building automation facilitates the everyday life of the elderly and individuals who require care, and on the networking of energy-efficient housing, which will provide greater comfort while requiring less energy consumption.

## Wiring Duct **STANDARD FINGER**

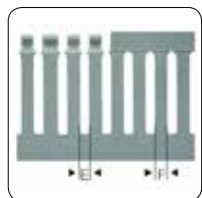
IBOCO's New Hager brand North American Base (NAB) standard finger PVC wiring duct is 2-meters in length, and includes the lid with a protective film on sizes 1.5" and above, that is easily removable after lid installation. The lid is a flush cover that snaps securely over the fingers, ensuring a tight fit with minimal effort.

The individual fingers with 2 predetermined break lines ensure a finger breakout on the upper scoreline, and easy sidewall removal with hand tool on the lower scoreline.



### Grey

CATALOG NUMBER	Nominal Size (W x H)	Dimensions in Inches (actual)				Dimensions W x H (millimeters)	Standard Carton Qty.	
		W	H	E	F		Lengths	Feet
NAB-0506G	1/2" x 5/8"	0.60	0.71	0.20	0.30	15 x 18	36	216
NAB-0510G	1/2" x 1"	0.60	1.18	0.20	0.30	15 x 30	20	120
NAB-0522G	1/2" x 2-1/4"	0.60	2.36	0.20	0.30	15 x 60	16	96
NAB-1010G	1" x 1"	1.00	1.18	0.20	0.30	25 x 30	20	120
NAB-1015G	1" x 1-1/2"	1.00	1.57	0.31	0.47	25 x 40	18	108
NAB-1022G	1" x 2-1/4"	1.00	2.36	0.31	0.47	25 x 60	24	144
NAB-1030G	1" x 3"	1.00	3.15	0.31	0.47	25 x 80	24	144
NAB-1040G	1" x 4"	1.00	3.94	0.31	0.47	25 x 100	8	48
NAB-1515G	1-1/2" x 1-1/2"	1.57	1.57	0.31	0.47	40 x 40	20	120
NAB-1522G	1-1/2" x 2-1/4"	1.57	2.36	0.31	0.47	40 x 60	18	108
NAB-1530G	1-1/2" x 3"	1.57	3.15	0.31	0.47	40 x 80	16	96
NAB-1540G	1-1/2" x 4"	1.57	3.94	0.31	0.47	40 x 100	8	48
NAB-2215G	2-1/4" x 1-1/2"	2.36	1.57	0.31	0.47	60 x 40	12	72
NAB-2222G	2-1/4" x 2-1/4"	2.36	2.36	0.31	0.47	60 x 60	12	72
NAB-2230G	2-1/4" x 3"	2.36	3.15	0.31	0.47	60 x 80	12	72
NAB-2240G	2-1/4" x 4"	2.36	3.94	0.31	0.47	60 x 100	4	24
NAB-3015G	3" x 1-1/2"	3.15	1.57	0.31	0.47	80 x 40	12	72
NAB-3022G	3" x 2-1/4"	3.15	2.36	0.31	0.47	80 x 60	12	72
NAB-3030G	3" x 3"	3.15	3.15	0.31	0.47	80 x 80	12	72
NAB-3040G	3" x 4"	3.15	3.94	0.31	0.47	80 x 100	4	24
NAB-3050G	3" x 5"	2.95	4.92	0.31	0.47	75 x 125	6	36
NAB-4015G	4" x 1-1/2"	3.94	1.57	0.31	0.47	100 x 40	8	48
NAB-4022G	4" x 2-1/4"	3.94	2.36	0.31	0.47	100 x 60	8	48
NAB-4030G	4" x 3"	3.94	3.15	0.31	0.47	100 x 80	8	48
NAB-4040G	4" x 4"	3.94	3.94	0.31	0.47	100 x 100	4	24
NAB-4050G	4" x 5"	3.94	4.92	0.31	0.47	100 x 125	4	24
NAB-6040G	6" x 4"	5.91	3.94	0.31	0.47	150 x 100	4	24



Available in various lengths. Contact sales office.

(1) Each standard length is actually 6'6 3/4", but is counted as 6 feet for packaging and pricing.

ADHESIVE BACKING - add suffix "A" to catalog number - contact sales office for pricing.

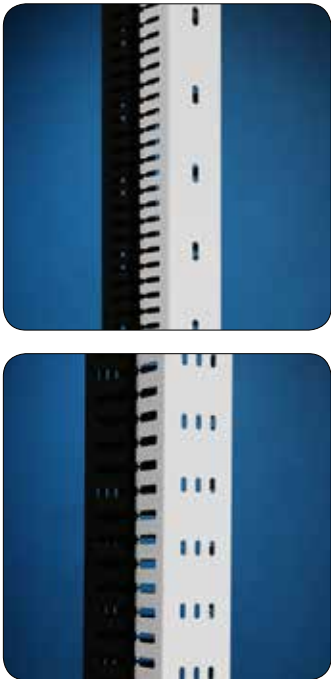
All wiring ducts come complete with lid. Wiring duct lids can be sold separately.



## Wiring Duct **STANDARD FINGER**

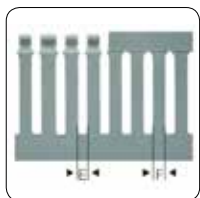
IBOCO's New Hager brand North American Base (NAB) standard finger PVC wiring duct is 2-meters in length, and includes the lid with a protective film on sizes 1.5" and above, that is easily removable after lid installation. The lid is a flush cover that snaps securely over the fingers, ensuring a tight fit with minimal effort.

The individual fingers with 2 predetermined break lines ensure a finger breakout on the upper scoreline, and easy sidewall removal with hand tool on the lower scoreline.



### White

CATALOG NUMBER	Nominal Size (W x H)	Dimensions in Inches (actual)				Dimensions W x H (millimeters)	Standard Carton Qty.	
		W	H	E	F		Lengths	Feet
NAB-0506W	1/2" x 5/8"	0.60	0.71	0.20	0.30	15 x 18	36	216
NAB-0510W	1/2" x 1"	0.60	1.18	0.20	0.30	15 x 30	20	120
NAB-0522W	1/2" x 2-1/4"	0.60	2.36	0.20	0.30	15 x 60	16	96
NAB-1010W	1" x 1"	1.00	1.18	0.20	0.30	25 x 30	20	120
NAB-1015W	1" x 1-1/2"	1.00	1.57	0.31	0.47	25 x 40	18	108
NAB-1022W	1" x 2-1/4"	1.00	2.36	0.31	0.47	25 x 60	24	144
NAB-1030W	1" x 3"	1.00	3.15	0.31	0.47	25 x 80	24	144
NAB-1040W	1" x 4"	1.00	3.94	0.31	0.47	25 x 100	8	48
NAB-1515W	1-1/2" x 1-1/2"	1.57	1.57	0.31	0.47	40 x 40	20	120
NAB-1522W	1-1/2" x 2-1/4"	1.57	2.36	0.31	0.47	40 x 60	18	108
NAB-1530W	1-1/2" x 3"	1.57	3.15	0.31	0.47	40 x 80	16	96
NAB-1540W	1-1/2" x 4"	1.57	3.94	0.31	0.47	40 x 100	8	48
NAB-2215W	2-1/4" x 1-1/2"	2.36	1.57	0.31	0.47	60 x 40	12	72
NAB-2222W	2-1/4" x 2-1/4"	2.36	2.36	0.31	0.47	60 x 60	12	72
NAB-2230W	2-1/4" x 3"	2.36	3.15	0.31	0.47	60 x 80	12	72
NAB-2240W	2-1/4" x 4"	2.36	3.94	0.31	0.47	60 x 100	4	24
NAB-3015W	3" x 1-1/2"	3.15	1.57	0.31	0.47	80 x 40	12	72
NAB-3022W	3" x 2-1/4"	3.15	2.36	0.31	0.47	80 x 60	12	72
NAB-3030W	3" x 3"	3.15	3.15	0.31	0.47	80 x 80	12	72
NAB-3040W	3" x 4"	3.15	3.94	0.31	0.47	80 x 100	4	24
NAB-3050W	3" x 5"	2.95	4.92	0.31	0.47	75 x 125	6	36
NAB-4015W	4" x 1-1/2"	3.94	1.57	0.31	0.47	100 x 40	8	48
NAB-4022W	4" x 2-1/4"	3.94	2.36	0.31	0.47	100 x 60	8	48
NAB-4030W	4" x 3"	3.94	3.15	0.31	0.47	100 x 80	8	48
NAB-4040W	4" x 4"	3.94	3.94	0.31	0.47	100 x 100	4	24
NAB-4050W	4" x 5"	3.94	4.92	0.31	0.47	100 x 125	4	24
NAB-6040W	6" x 4"	5.91	3.94	0.31	0.47	150 x 100	4	24



Available in various lengths. Contact sales office.

(1) Each standard length is actually 6'6 3/4", but is counted as 6 feet for packaging and pricing.

ADHESIVE BACKING - add suffix "A" to catalog number - contact sales office for pricing.

All wiring ducts come complete with lid. Wiring duct lids can be sold separately.

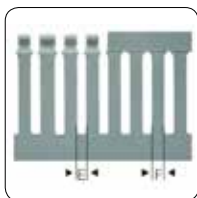
## Wiring Duct **NARROW FINGER/HIGH DENSITY**

IBOCO's New Hager brand North American Base (NAB) narrow finger/high density duct is ideal for use with high-density terminal blocks. With narrow finger slots, wires can be neatly managed from any location along the wire duct.



### Grey

CATALOG NUMBER	Nominal Size (W x H)	Dimensions in Inches (actual)				Dimensions W x H (millimeters)	Standard Carton Qty.	
		W	H	E	F		Lengths	Feet
NAB-0506GHD	1/2" x 5/8"	0.60	0.71	0.16	0.24	15 x 18	36	216
NAB-0510GHD	1/2" x 1"	0.60	1.18	0.16	0.24	15 x 30	20	120
NAB-0522GHD	1/2" x 2-1/4"	0.60	2.36	0.16	0.24	15 x 60	16	96
NAB-1010GHD	1" x 1"	1.00	1.18	0.16	0.24	25 x 30	20	120
NAB-1015GHD	1" x 1-1/2"	1.00	1.57	0.16	0.24	25 x 40	18	108
NAB-1022GHD	1" x 2-1/4"	1.00	2.36	0.16	0.24	25 x 60	24	144
NAB-1030GHD	1" x 3"	1.00	3.15	0.16	0.24	25 x 80	24	144
NAB-1040GHD	1" x 4"	1.00	3.94	0.16	0.24	25 x 100	8	48
NAB-1515GHD	1-1/2" x 1-1/2"	1.57	1.57	0.16	0.24	40 x 40	20	120
NAB-1522GHD	1-1/2" x 2-1/4"	1.57	2.36	0.16	0.24	40 x 60	18	108
NAB-1530GHD	1-1/2" x 3"	1.57	3.15	0.16	0.24	40 x 80	16	96
NAB-1540GHD	1-1/2" x 4"	1.57	3.94	0.16	0.24	40 x 100	8	48
NAB-2215GHD	2-1/4" x 1-1/2"	2.36	1.57	0.16	0.24	60 x 40	12	72
NAB-2222GHD	2-1/4" x 2-1/4"	2.36	2.36	0.16	0.24	60 x 60	12	72
NAB-2230GHD	2-1/4" x 3"	2.36	3.15	0.16	0.24	60 x 80	12	72
NAB-2240GHD	2-1/4" x 4"	2.36	3.94	0.16	0.24	60 x 100	4	24
NAB-3015GHD	3" x 1-1/2"	3.15	1.57	0.16	0.24	80 x 40	12	72
NAB-3022GHD	3" x 2-1/4"	3.15	2.36	0.16	0.24	80 x 60	12	72
NAB-3030GHD	3" x 3"	3.15	3.15	0.16	0.24	80 x 80	12	72
NAB-3040GHD	3" x 4"	3.15	3.94	0.16	0.24	80 x 100	4	24
NAB-3050GHD	3" x 5"	2.95	4.92	0.16	0.24	75 x 125	6	36
NAB-4015GHD	4" x 1-1/2"	3.94	1.57	0.16	0.24	100 x 40	8	48
NAB-4022GHD	4" x 2-1/4"	3.94	2.36	0.16	0.24	100 x 60	8	48
NAB-4030GHD	4" x 3"	3.94	3.15	0.16	0.24	100 x 80	8	48
NAB-4040GHD	4" x 4"	3.94	3.94	0.16	0.24	100 x 100	4	24
NAB-4050GHD	4" x 5"	3.94	4.92	0.16	0.24	100 x 125	4	24
NAB-6040GHD	6" x 4"	5.91	3.94	0.16	0.24	150 x 100	4	24



Available in various lengths. Contact sales office.

(1) Each standard length is actually 6'6 3/4", but is counted as 6 feet for packaging and pricing.

ADHESIVE BACKING - add suffix "A" to catalog number - contact sales office for pricing.

All wiring ducts come complete with lid. Wiring duct lids can be sold separately.



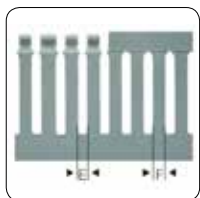
## Wiring Duct **NARROW FINGER/HIGH DENSITY**

IBOCO's New Hager brand North American Base (NAB) narrow finger/high density duct is ideal for use with high-density terminal blocks. With narrow finger slots, wires can be neatly managed from any location along the wire duct.



### White

CATALOG NUMBER	Nominal Size (W x H)	Dimensions in Inches (actual)				Dimensions W x H (millimeters)	Standard Carton Qty.	
		W	H	E	F		Lengths	Feet
NAB-0506WHD	1/2" x 5/8"	0.60	0.71	0.16	0.24	15 x 18	36	216
NAB-0510WHD	1/2" x 1"	0.60	1.18	0.16	0.24	15 x 30	20	120
NAB-0522WHD	1/2" x 2-1/4"	0.60	2.36	0.16	0.24	15 x 60	16	96
NAB-1010WHD	1" x 1"	1.00	1.18	0.16	0.24	25 x 30	20	120
NAB-1015WHD	1" x 1-1/2"	1.00	1.57	0.16	0.24	25 x 40	18	108
NAB-1022WHD	1" x 2-1/4"	1.00	2.36	0.16	0.24	25 x 60	24	144
NAB-1030WHD	1" x 3"	1.00	3.15	0.16	0.24	25 x 80	24	144
NAB-1040WHD	1" x 4"	1.00	3.94	0.16	0.24	25 x 100	8	48
NAB-1515WHD	1-1/2" x 1-1/2"	1.57	1.57	0.16	0.24	40 x 40	20	120
NAB-1522WHD	1-1/2" x 2-1/4"	1.57	2.36	0.16	0.24	40 x 60	18	108
NAB-1530WHD	1-1/2" x 3"	1.57	3.15	0.16	0.24	40 x 80	16	96
NAB-1540WHD	1-1/2" x 4"	1.57	3.94	0.16	0.24	40 x 100	8	48
NAB-2215WHD	2-1/4" x 1-1/2"	2.36	1.57	0.16	0.24	60 x 40	12	72
NAB-2222WHD	2-1/4" x 2-1/4"	2.36	2.36	0.16	0.24	60 x 60	12	72
NAB-2230WHD	2-1/4" x 3"	2.36	3.15	0.16	0.24	60 x 80	12	72
NAB-2240WHD	2-1/4" x 4"	2.36	3.94	0.16	0.24	60 x 100	4	24
NAB-3015WHD	3" x 1-1/2"	3.15	1.57	0.16	0.24	80 x 40	12	72
NAB-3022WHD	3" x 2-1/4"	3.15	2.36	0.16	0.24	80 x 60	12	72
NAB-3030WHD	3" x 3"	3.15	3.15	0.16	0.24	80 x 80	12	72
NAB-3040WHD	3" x 4"	3.15	3.94	0.16	0.24	80 x 100	4	24
NAB-3050WHD	3" x 5"	2.95	4.92	0.16	0.24	75 x 125	6	36
NAB-4015WHD	4" x 1-1/2"	3.94	1.57	0.16	0.24	100 x 40	8	48
NAB-4022WHD	4" x 2-1/4"	3.94	2.36	0.16	0.24	100 x 60	8	48
NAB-4030WHD	4" x 3"	3.94	3.15	0.16	0.24	100 x 80	8	48
NAB-4040WHD	4" x 4"	3.94	3.94	0.16	0.24	100 x 100	4	24
NAB-4050WHD	4" x 5"	3.94	4.92	0.16	0.24	100 x 125	4	24
NAB-6040WHD	6" x 4"	5.91	3.94	0.16	0.24	150 x 100	4	24



Available in various lengths. Contact sales office.

(1) Each standard length is actually 6'6 3/4", but is counted as 6 feet for packaging and pricing.

ADHESIVE BACKING - add suffix "A" to catalog number - contact sales office for pricing.

All wiring ducts come complete with lid. Wiring duct lids can be sold separately.



## Lids **North American Base (NAB)**

IBOCO's Hager brand North American Base (NAB) Lids are included with the wiring duct. If additional lids are required, they may be purchased separately.

All lids on sizes 1.5" and above include a protective removable film, that can be easily removed after installation. The removable film eliminates unwanted scratches and discoloration.



### Grey

CATALOG NUMBER	Nominal Size (width)	Size (width) Millimeters	Standard Carton Lengths	Standard Carton Feet
LID-05G	1/2"	15mm	50	300
LID-10G	1"	25mm	25	150
LID-15G	1-1/2"	40mm	25	150
LID-22G	2-1/4"	60mm	25	150
LID-30G	3"	80mm	25	150
LID-40G	4"	100mm	20	120
LID-60G	6"	150mm	20	120



### White

CATALOG NUMBER	Nominal Size (width)	Size (width) Millimeters	Standard Carton Lengths	Standard Carton Feet
LID-05W	1/2"	15mm	50	300
LID-10W	1"	25mm	25	150
LID-15W	1-1/2"	40mm	25	150
LID-22W	2-1/4"	60mm	25	150
LID-30W	3"	80mm	25	150
LID-40W	4"	100mm	20	120
LID-60W	6"	150mm	20	120





## Wire Ducts **FEATURES AND BENEFITS**

The Hager Brand wire duct reflects the mounting hole configuration of all “North American” branded wire duct. Immediate mounting to your back panel or enclosure specified mounting holes. Wire ducts are available in different types to suit your needs. Standard finger PVC wiring duct is 2-meters in length. Narrow finger/high density duct is ideal for use with high-density terminal blocks.

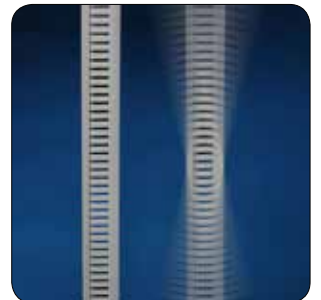
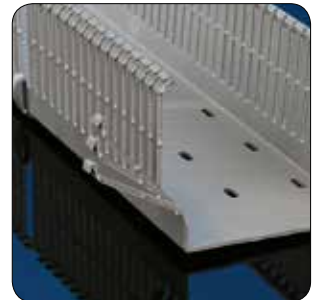
Hager Brand lids include a protective, removable film, that can be easily removed after installation, eliminating unwanted scratches or smudges. The lid is a flush cover that snaps securely over the fingers, ensuring a tight fit with minimal effort.

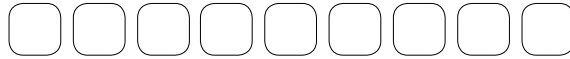
Flexible, double scoreline for fast and easy modification. No cutter needed for first scoreline. Flush/Burr free break. Second scoreline easily removed with Triton side wall cutter.

Soft coated fingers ensure tight cover fit in vertical positions.

Heavy-duty shipping carton guarantees “damage free” wire duct, and inclusive lids, ensuring complete product integrity, ready to mount.

Orders normally ship within 48 hours.





## Adhesive Backed Duct **North American Base (NAB)**

Adhesive tape can be applied to all sizes of our NAB T1, T1E, TS and TSH Wiring Duct Series products. Adhesive backing can be used for the following application:

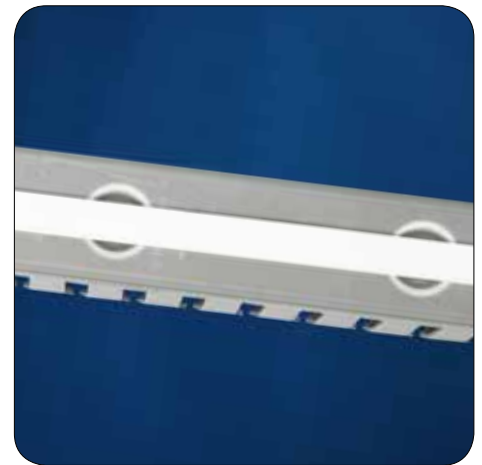
### 1. Temporary Mounting (See table below)

Gives installer ample time to secure duct (rivets or screws) with precision and accuracy.

Please add an "A" to the part number when ordering (i.e. NAB-2230GA).

Adhesive is applied as ordered.

For pricing please contact the factory.



### Factory Applied Tape (Temporary Mounting) Rubber Based Only

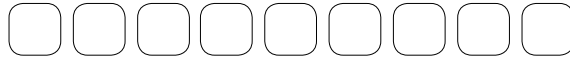
Duct Size (width x height)	Rows of Tape	Tape Size (inches)	Tape Thickness
.5 x .5 Thru 1.5 x 2.25	1	.50	.0313
1.5 x 3 Thru 3 x 2	2	.50	.0313
3 x 3 Thru 1.5 x 2.25	2	.75	.0313
4 x 1.5 Thru 4 x 5	2	.75	.0313
6 x 4 Thru	3	.75	.0313

Tape specifications:

- Double-sided rubber based polyolefin foam tape.
- Application temperature range 65° F to 100° F
- General service temperature -20° F to 175° F

### Rolls of Adhesive to Purchase Separately

Part Number	Tape Size (inches)	Roll Length (feet)
RUBBER		
MT-32A50	.50	216
MT-32A75	.75	216



## DIN Rail

Din Rail is widely used for mounting of terminal blocks, circuit breakers, etc, inside a control panel. The term derives from the original specifications in Germany. Deutsches Institut für Normung (DIN). This specification has been adopted as European (EN) and international (IEC) standards. Din rail saves time when installing, or replacing devices.

IBOCO's extensive offering of din rail, and din rail accessories, are the most comprehensive in the market. All in stock, and ready to ship.

IBOCO's din rail is available in steel, aluminum, copper and stainless steel.



The Dinclic series of mounting clips allows the installer to mount those devices that are not din rail mountable to the rail directly. Saving installation time.



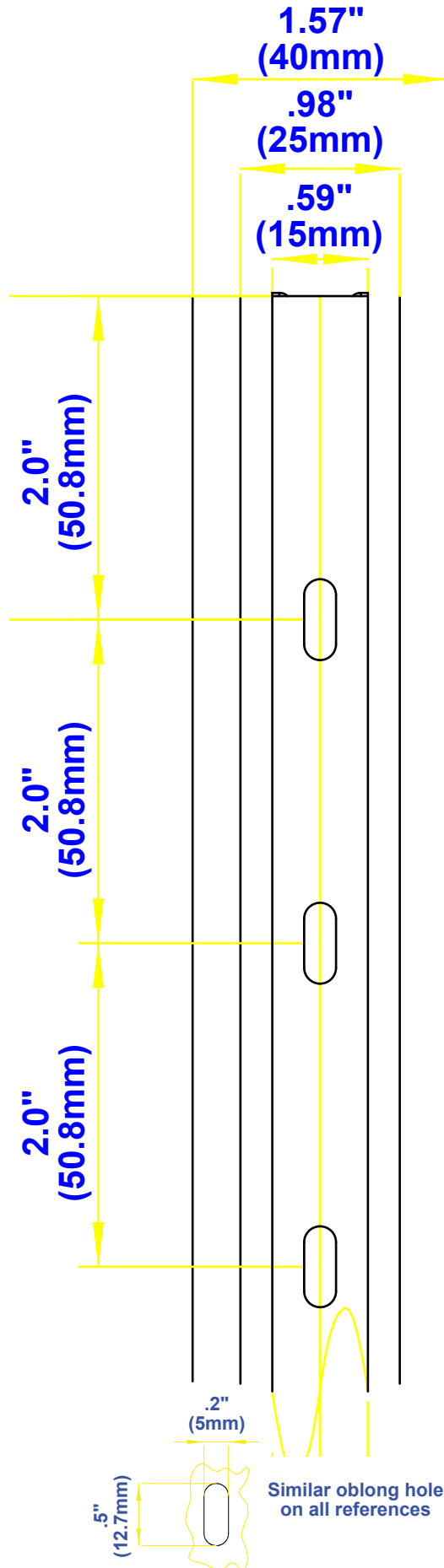
The ST Din Rail Support Bracket enables the installer to angle Din Rail installation and provide additional clearance for wiring applications.

The STS series of Din Rail Support Brackets provide additional depth for your din rail installation

CATALOG NUMBER	Type Steel	Std. Pack Feet	Lengths Per Pack
G1	Solid	78	12
G1F	With Holes	78	12
G1F1*	With Holes	78	24*
OMEGA 2F	With Holes	130	20
OMEGA 2F1*	With Holes	130	40*
OMEGA 3	Solid	130	20
OMEGA 31	Solid	130	40*
OMEGA 3F	With Holes	130	20
OMEGA 3F1*	With Holes	130	40*
OMEGA 3FD	With Holes	130	20
OMEGA 3A	Solid	65	10
OMEGA 3A1*	Solid	65	20*
OMEGA 3AF	With Holes	65	10
OMEGA 3AF1*	With Holes	65	20*
OMEGA 3AFD	With Holes	65	10
OMEGA 3B	Solid	65	10
OMEGA 3B1*	Solid	65	20*
OMEGA 75	Solid	13	2
<b>ALUMINUM</b>			
OMEGA 32A1*	2" Elevated	19.5	6*
OMEGA 32A2	2" Elevated	39	6
OMEGA 3FAL1*	With Holes	130	40*
OMEGA 345A2	4-1/2" Elevated	13	2
<b>COPPER</b>			
OMEGA 3ACU	Solid	6.5	1
<b>STAINLESS STEEL</b>			
OMEGA 3SS	Solid	26	4
OMEGA 3SS1*	Solid	26	8*

\* One meter in length.

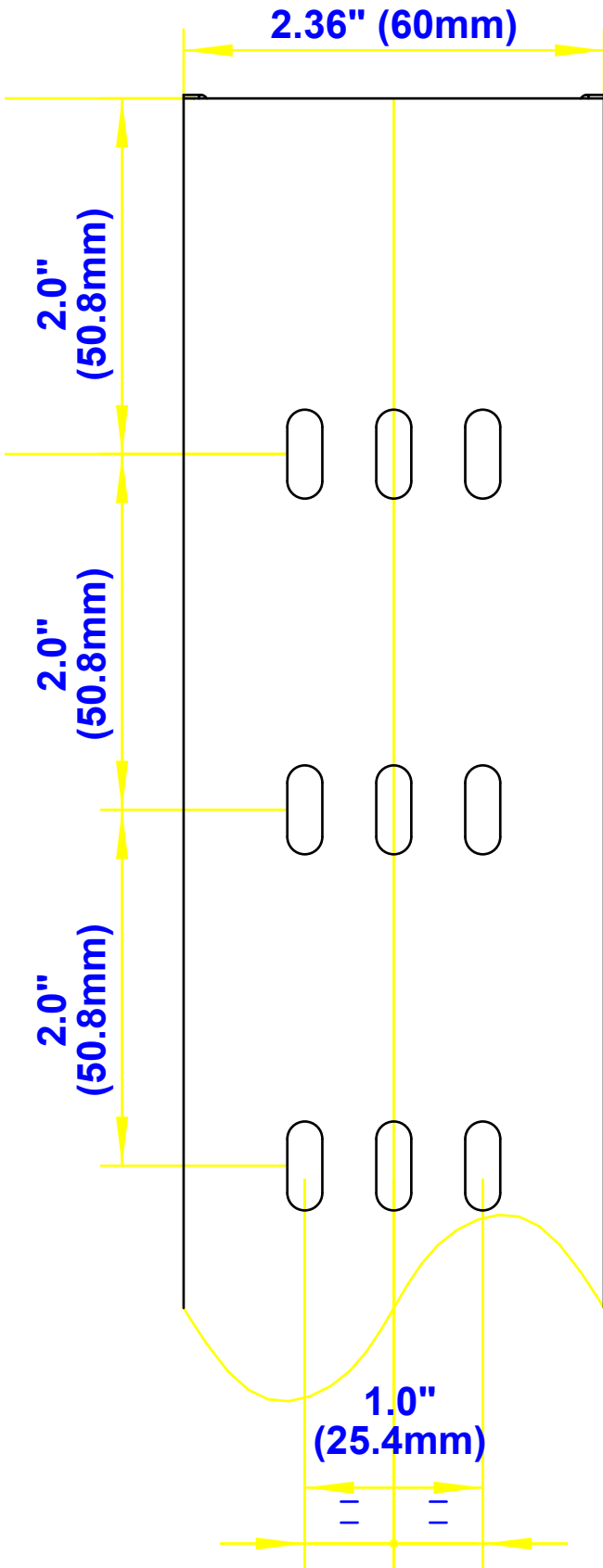
Base NAB-05xx\*/10\*/15\*  
(15/25/40mm)



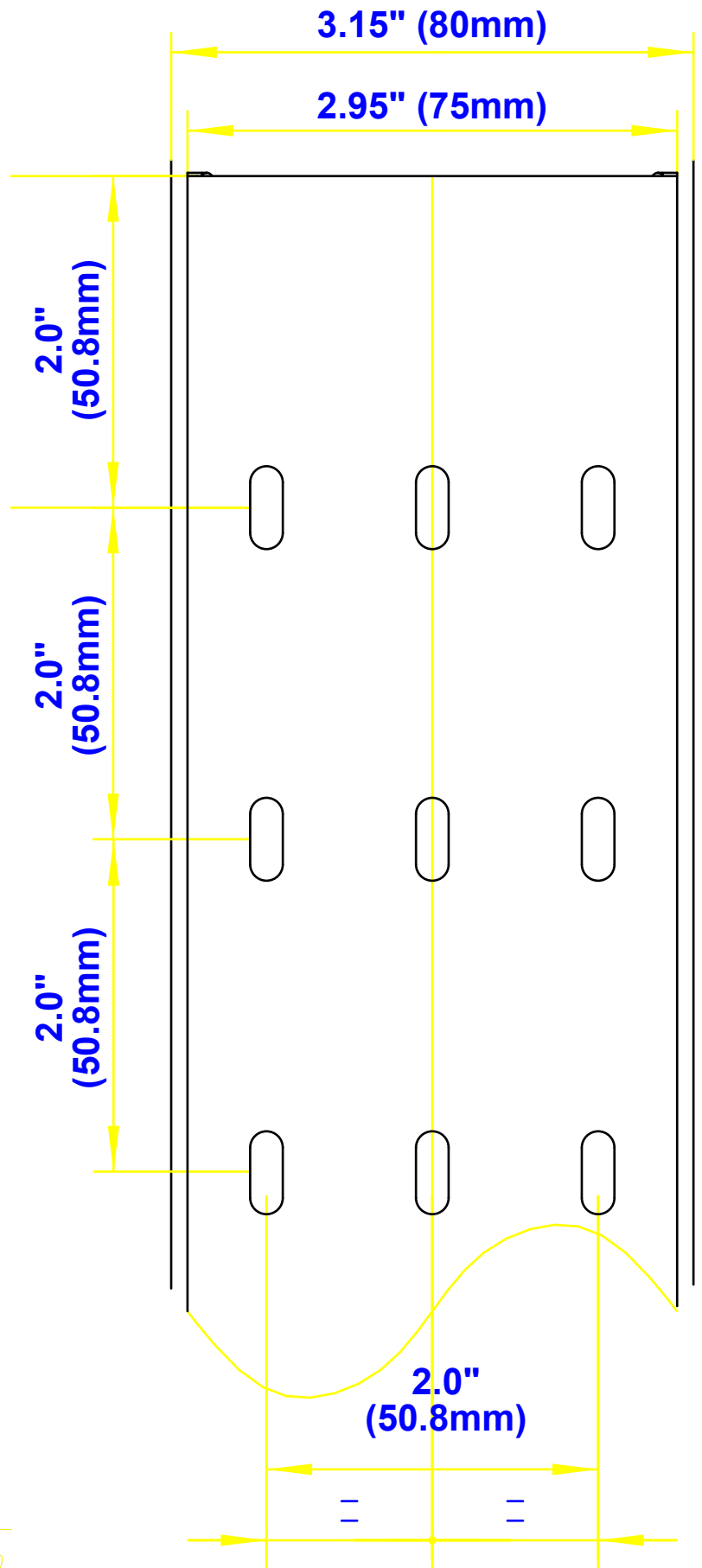
**:hager**

\* all colors and finger widths

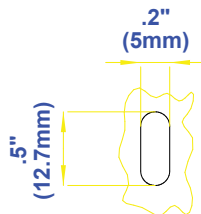
**Base NAB-22xx\* (60mm)**



**Base NAB-30xx\* (75/80mm)**



**:hager**

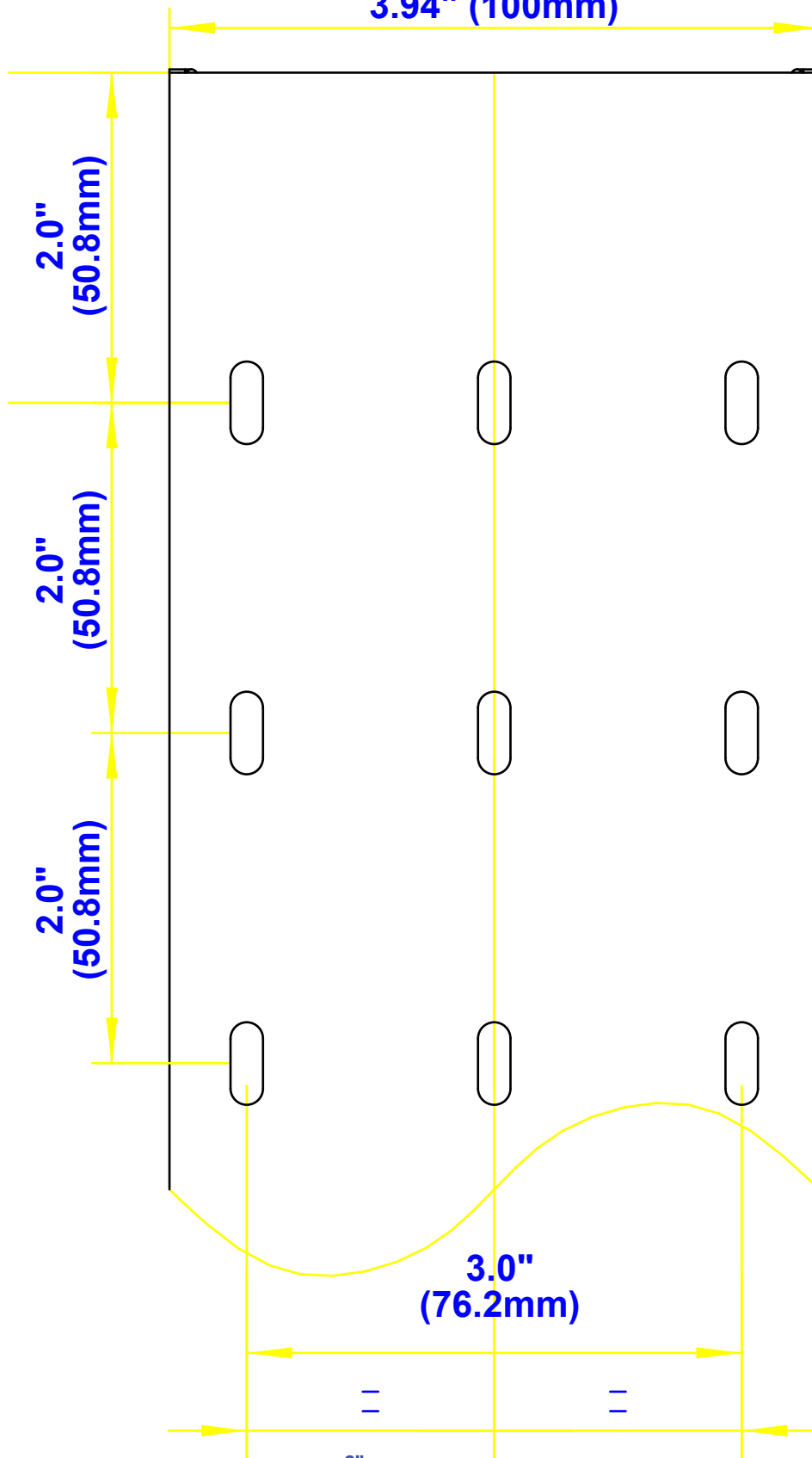


Similar oblong hole on all references

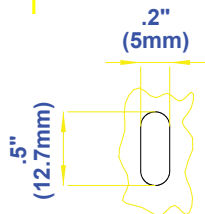
\* all colors and finger widths

**Base NAB-40xx\* (100mm)**

**3.94" (100mm)**



**:hager**

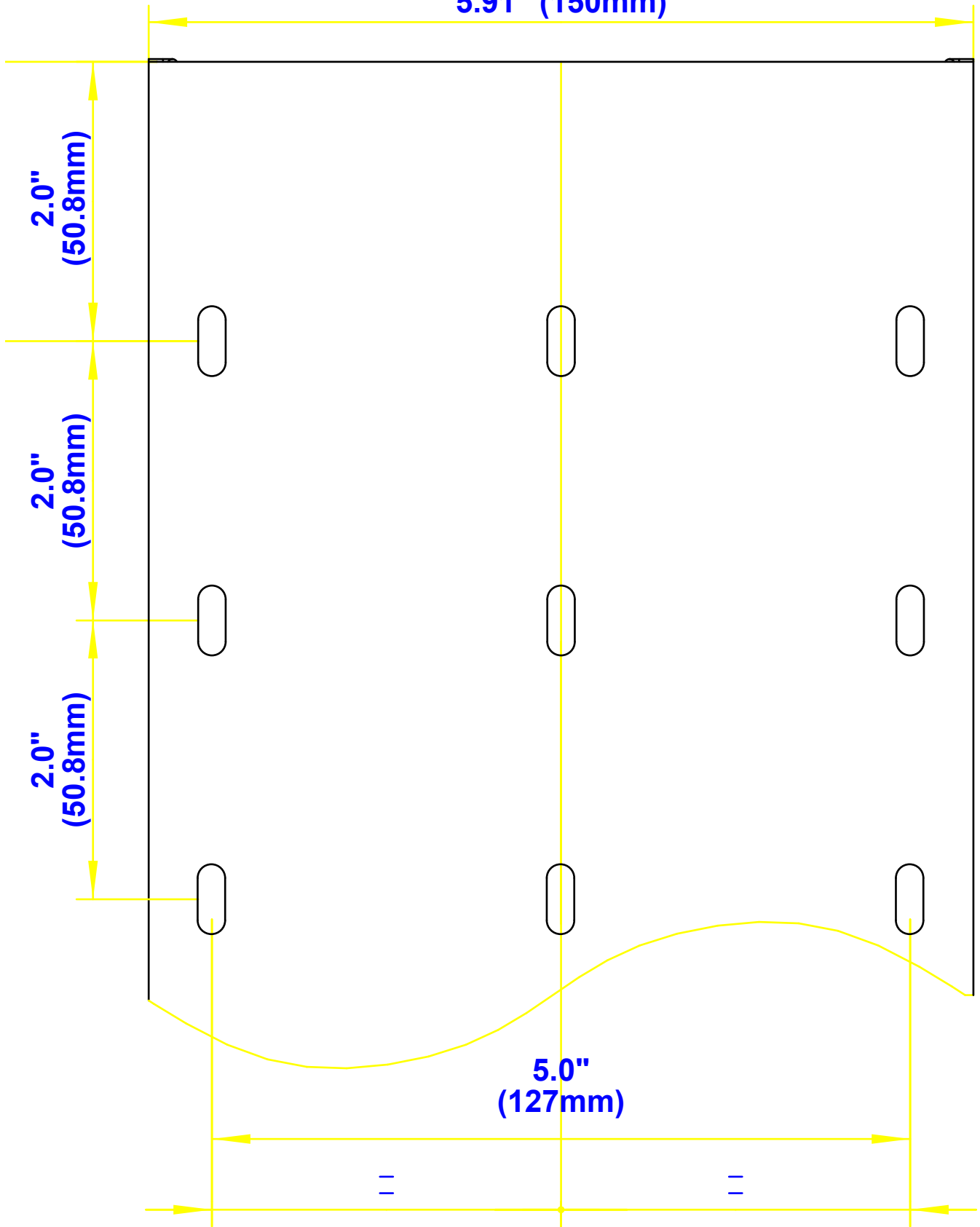


Similar oblong hole on all references

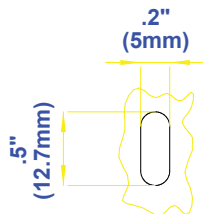
\* all colors and finger widths

# Base NAB-50xx\* (150mm)

5.91" (150mm)



**:hager**



Similar oblong hole on all references

\* all colors and finger widths

## Value Added

IBOCO consistently and accurately meets the needs of panel builders, supporting them with industry leading technical expertise focused on wire duct and din rail applications.

IBOCO has been an industry leader in the supply of integrated panel management systems and related products for over thirty years.

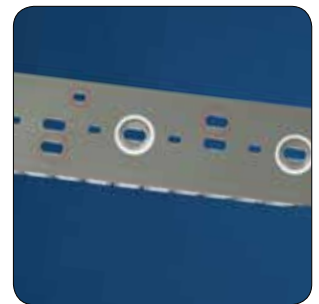
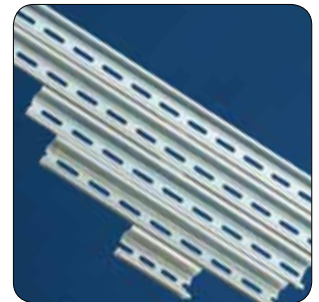
We can modify and customize our wire duct and DIN rails for both IBOCO and Hager products.

For orders from 10 to 10,000 pieces we can customize wire duct lengths, fingers, hole patterns to match your back plate, and attach adhesive strips. Also all styles of DIN Rail may be cut, drilled and packaged to your specifications.

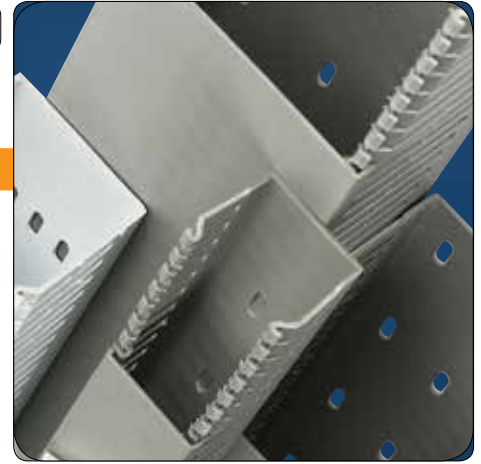
Our design engineers will work directly with you to ensure the correct product is delivered. We'll provide customized samples to your complete satisfaction, maintain stock, put together complete kits with custom labeling to your cartons.

Shipments of your customized product can be received in less than two weeks once the final design is approved.

All of this will save you time, money, reduce scrap, and help eliminate injuries.







## General Terms and Conditions

**I. Payment Terms**

Net 30 days.

**II. Minimum Order**

\$50.00 distributor cost.

**III. Freight Terms**

All products are F.O.B. New Jersey.

Full freight will be allowed on shipments to destinations in the continental United States for orders of:

\$750 on wiring duct and accessories.

\$1,000 for wiring duct and din rail combined.

\$1,200 for din rail.

\$2,000 on VTR products\*

\*NOTE: VTR freight terms and standard IBOCO terms are not to be combined in one order.

**IV. Sales Tax**

Prices do not include sales, excise or similar taxes

IBOCO reserves the right to add any taxes to the sale price imposed by law on the sale of its articles.

**V. Prices**

IBOCO Corporation is not responsible for the accuracy of any prices, discounts or terms shown on purchaser's orders. Orders will be accepted with the understanding that the products will be billed at price in effect at time of shipment, unless otherwise specified in quotation.

**VI. Ordering less than standard package quantities**

Issued quotes are valid on standard carton quantity only

10% cost premium if less than one standard carton. IBOCO does not advise shipping broken boxes due to high risk of damage. If broken box is ordered IBOCO will not be responsible for damages once order leaves our warehouse. IBOCO will not credit invoice or reship product if damage occurs.

All additional IBOCO products are only available in standard packaging as listed in price schedule.

**VII. Cancellation**

Any order may be cancelled for standard products without charge prior to shipment.

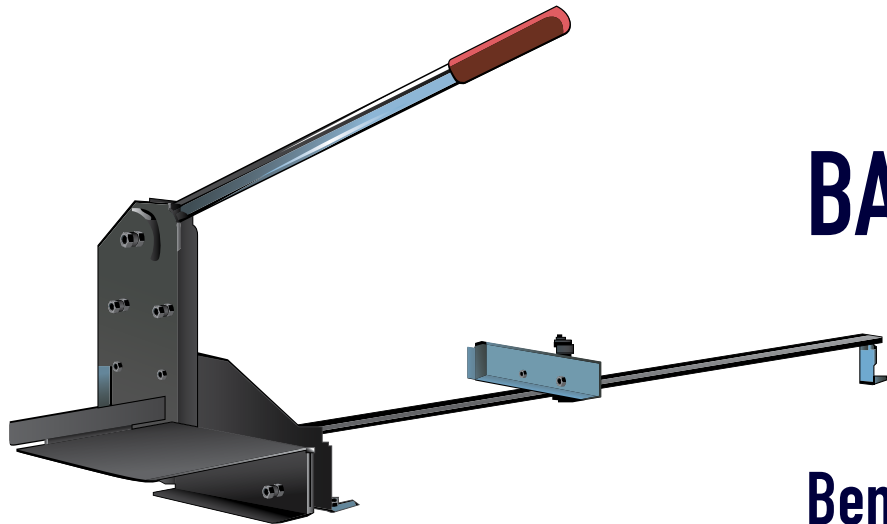
Cancellations of orders already shipped, or special products which are in the manufacturing process, will be accepted with the understanding that IBOCO Corp. will be reimbursed for costs incurred as a result of the cancellation.

**VIII. Non-Standard and Custom Products**

Non-standard and custom products are non-cancelable and non-returnable. Non-standard or custom products are defined as products that are special order, custom orders, orders built to customer's specifications, assembled or modified products, products not stocked by IBOCO Corporation or orders for value-added products.

**IX. Claims**

Claims for shortages/or erroneous deductions for charges must be made within twenty days of invoice date or will not be permitted.

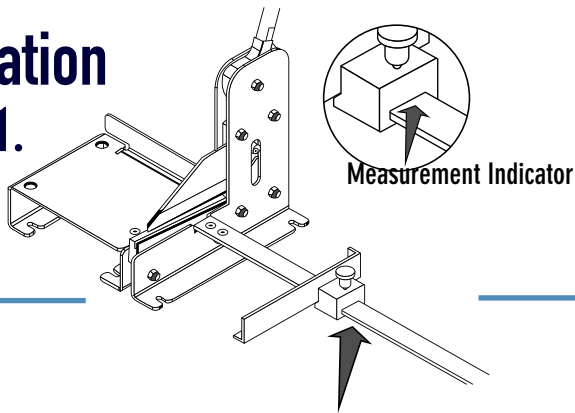


# BA7 Cutter

## Bench Mount Wiring Duct Cutting Tool

### Operation

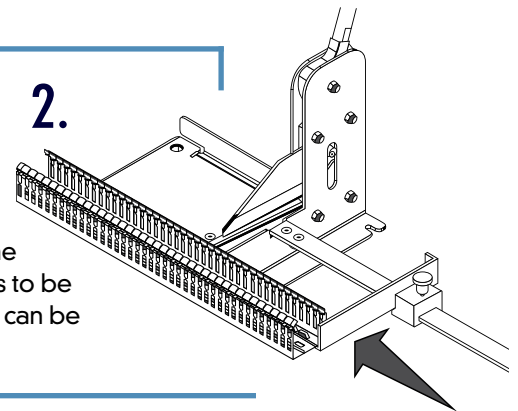
1.



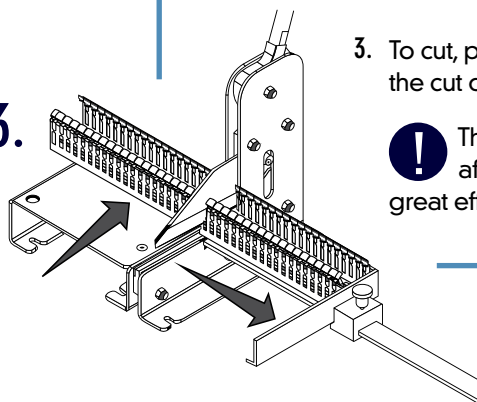
1. Adjust the desired length of the wiring duct by using the length stopper and lock position by screwing down the thumbscrew. Push down the blade guard with the wiring duct.

2. Hold the wiring duct only at the front and outside of the cutting area and the blade position. Do not reach behind the wiring duct. For the desired cutting dimension connect the wiring duct to the length stopper then slide it completely back against the counter support. The blade has to be placed between the bars. Possibly the duct has to be moved back to the previous slot. If the exact dimension is desired the according bar can be broken out and it can be cut on its place.

2.



3.



3. To cut, pull the level down. After the cutting, press the lever back up and carefully remove the cut duct parts. For this perhaps the length stopper has to be loosened.



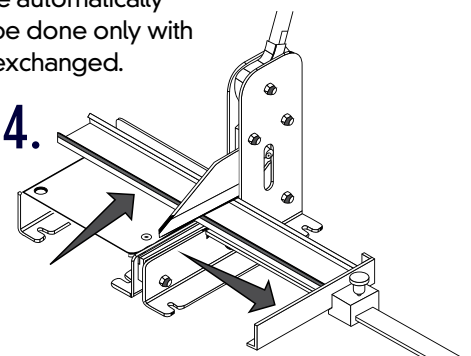
The blade guard has to fold up against the blade automatically after every cutting procedure. If the cutting can be done only with great effort the blade is dull or damaged. It has to be exchanged.

4. To cut covers, repeat steps 1 and 3.

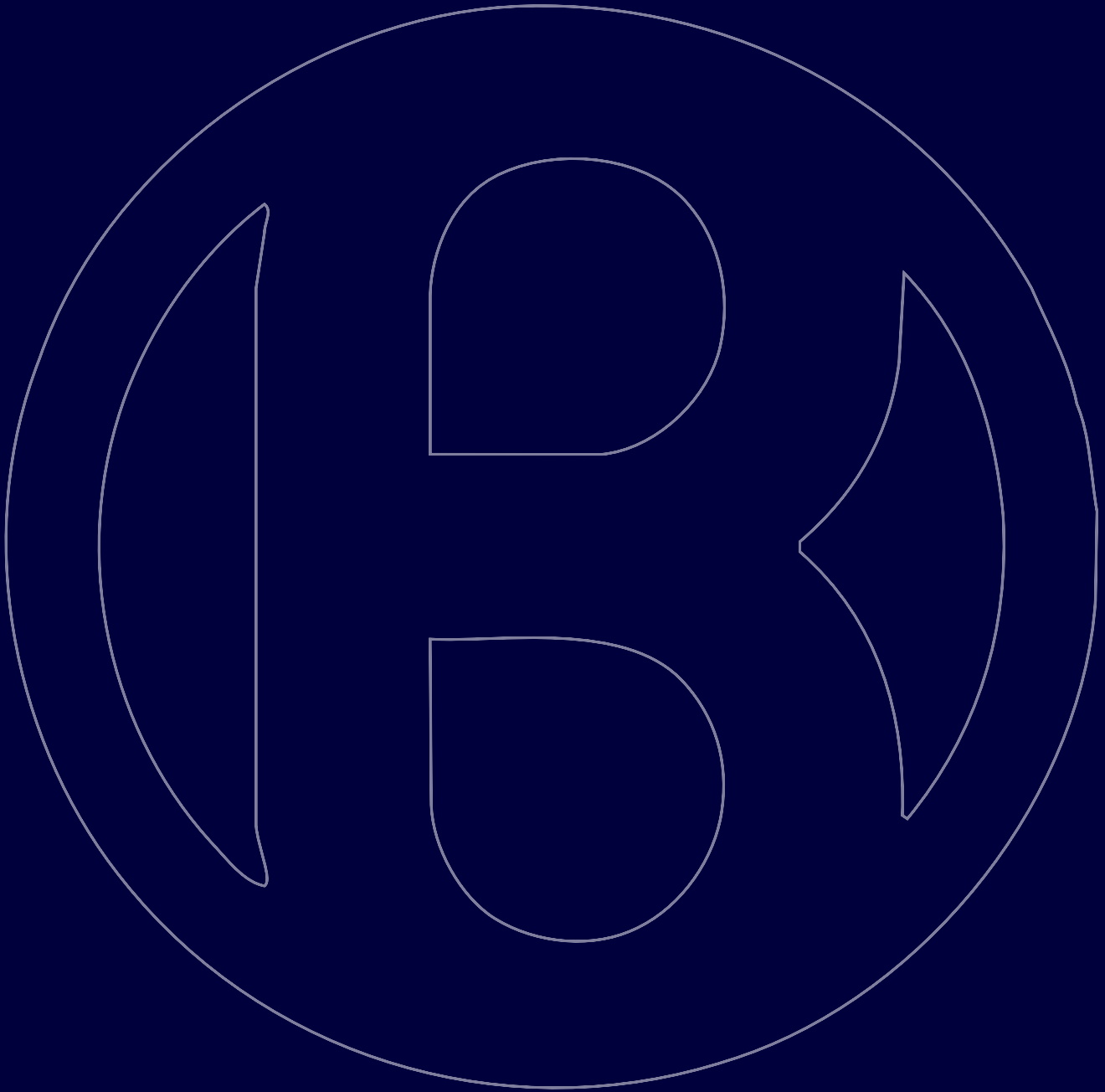


The rims of the cover must be on top when cutting

4.







Tel: 732.417.0066 • [www.iboco.com](http://www.iboco.com)  
Send orders to [orders@iboco.com](mailto:orders@iboco.com)